

## Esisuodattimet

F08



F18



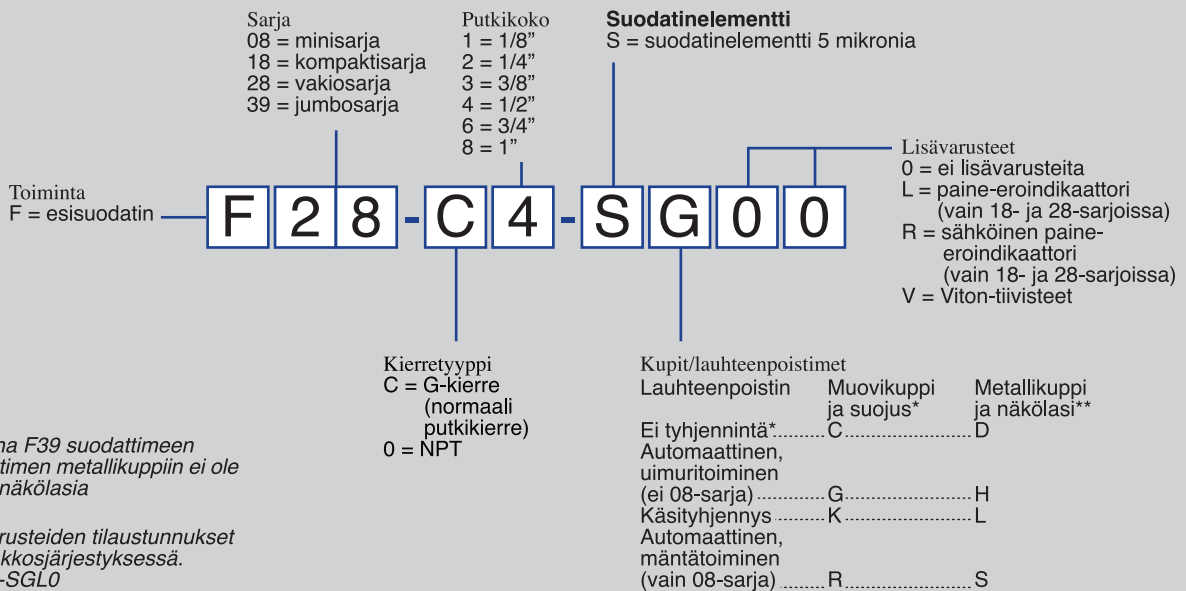
F28



F39



### Mallin koodiavain

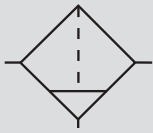


Huom!

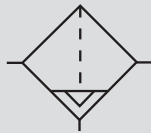
\* Ei saatavana F39 suodattimeen  
\*\* F08 suodattimen metallikuppiin ei ole saatavana näkölasia

Huom! Lisävarusteiden tilaustunnukset ilmoitetaan aakkosjärjestyksessä.  
Esim. F18-C3-SGL0

## Esisuodattimet



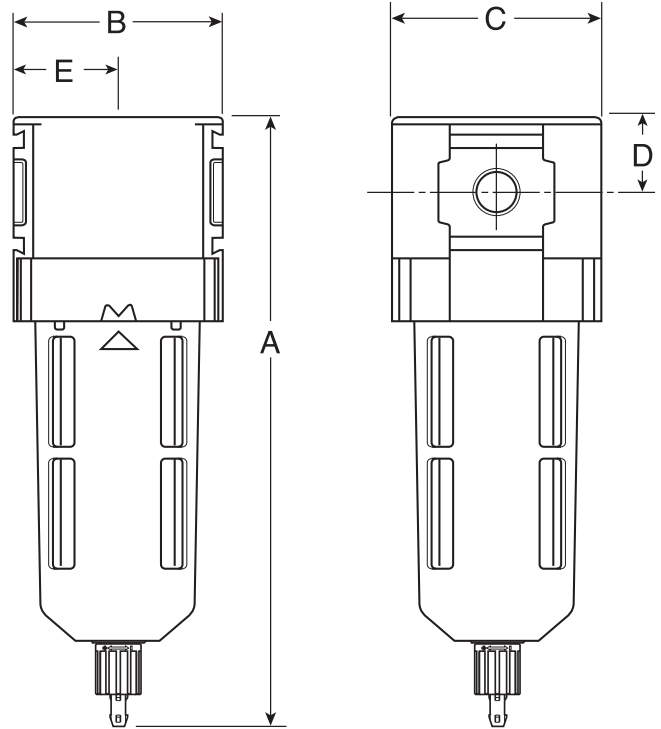
Käsityhjennys



Automaattityhjennys

### Ominaisuudet:

- Erinomainen vedenerotuskyky
- 5 mikronin suodatinelementti vakiona
- Pikalukkokiinnitteiset kupit
- Muovikupin suojus vakiona
- F39 suodattimessa vakiona metallikuppi/näkölasia sekä moduulikiinnike



Malli	Liitäntä	Virtaus*			Kuppi		Tyhjennys		Mitat (mm)					Seinäkiinnike	Suodatin-elementti
		m³/min	l/s	bar	muovikuppi	metallikuppi	käsityhjennys	automaattityhjennys	A	B	C	D	E		
F08-C2-SK00	1/4	1,4	23,5	10	x		x		116,3	40,0	42,7	18,3	21,3	GPA-97-010	FRP-96-729
-SL00	1/4	1,4	23,5	17		x	x		116,3	40,0	42,7	18,3	21,3	GPA-97-010	FRP-96-729
F18-C2-SK00	1/4	3,1	51,9	10	x		x		188,0	60,0	60,0	26,0	30,0	GPA-96-604	FRP-96-639
-SG00	1/4	3,1	51,9	10	x			x	179,0	60,0	60,0	26,0	30,0	GPA-96-604	FRP-96-639
-SH00	1/4	3,1	51,9	17		x	x		179,0	60,0	69,0	26,0	30,0	GPA-96-604	FRP-96-639
-SL00	1/4	3,1	51,9	17		x	x		188,0	60,0	69,0	26,0	30,0	GPA-96-604	FRP-96-639
F18-C3-SK00	3/8	3,4	56,6	10	x		x		188,0	60,0	60,0	26,0	30,0	GPA-96-604	FRP-96-639
-SG00	3/8	3,4	56,6	10	x			x	179,0	60,0	60,0	26,0	30,0	GPA-96-604	FRP-96-639
-SH00	3/8	3,4	56,6	17		x	x		179,0	60,0	69,0	26,0	30,0	GPA-96-604	FRP-96-639
-SL00	3/8	3,4	56,6	17		x	x		188,0	60,0	69,0	26,0	30,0	GPA-96-604	FRP-96-639
F18-C4-SK00	1/2	4,1	68,4	10	x		x		188,0	60,0	60,0	26,0	30,0	GPA-96-604	FRP-96-639
-SG00	1/2	4,1	68,4	10	x			x	179,0	60,0	60,0	26,0	30,0	GPA-96-604	FRP-96-639
-SH00	1/2	4,1	68,4	17		x	x		179,0	60,0	69,0	26,0	30,0	GPA-96-604	FRP-96-639
-SL00	1/2	4,1	68,4	17		x	x		188,0	60,0	69,0	26,0	30,0	GPA-96-604	FRP-96-639
F28-C3-SK00	3/8	4,1	68,0	10	x		x		213,0	73,0	73,0	26,0	36,0	GPA-96-605	FRP-96-653
-SG00	3/8	4,1	68,0	10	x			x	204,0	73,0	73,0	26,0	36,0	GPA-96-605	FRP-96-653
-SH00	3/8	4,1	68,0	17		x	x		204,0	73,0	82,0	26,0	36,0	GPA-96-605	FRP-96-653
-SL00	3/8	4,1	68,0	17		x	x		213,0	73,0	82,0	26,0	36,0	GPA-96-605	FRP-96-653
F28-C4-SK00	1/2	4,5	75,5	10	x		x		213,0	73,0	73,0	26,0	36,0	GPA-96-605	FRP-96-653
-SG00	1/2	4,5	75,5	10	x			x	204,0	73,0	73,0	26,0	36,0	GPA-96-605	FRP-96-653
-SH00	1/2	4,5	75,5	17		x	x		204,0	73,0	82,0	26,0	36,0	GPA-96-605	FRP-96-653
-SL00	1/2	4,5	75,5	17		x	x		213,0	73,0	82,0	26,0	36,0	GPA-96-605	FRP-96-653
F28-C6-SK00	3/4	4,7	77,9	10	x		x		213,0	73,0	73,0	26,0	36,0	GPA-96-605	FRP-96-653
-SG00	3/4	4,7	77,9	10	x			x	204,0	73,0	73,0	26,0	36,0	GPA-96-605	FRP-96-653
-SH00	3/4	4,7	77,9	17		x	x		204,0	73,0	82,0	26,0	36,0	GPA-96-605	FRP-96-653
-SL00	3/4	4,7	77,9	17		x	x		213,0	73,0	82,0	26,0	36,0	GPA-96-605	FRP-96-653
F39-C6-SL00	3/4	10,7	177,8	17		x	x		278,0	92,0	92,0	35,0	46,0	PN3NKA00MW	P3NKA00ESE
-SH00	3/4	10,7	177,8	17		x	x		278,0	92,0	92,0	35,0	46,0	PN3NKA00MW	P3NKA00ESE
F39-C8-SL00	1	11,1	184,8	17		x	x		278,0	92,0	92,0	35,0	46,0	PN3NKA00MW	P3NKA00ESE
-SH00	1	11,1	184,8	17		x	x		278,0	92,0	92,0	35,0	46,0	PN3NKA00MW	P3NKA00ESE

\* Virtaus ilmoitettu 10 bar paineella, jolloin painehäviö on 0,3 bar.